

klevr furniture™

klevr.us

Before you start...

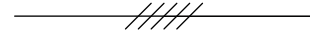
Klever furniture products are made with natural wood materials, which means that the wood grain and appearance will usually vary from panel to panel. Because we strive to produce an affordable high quality product that can last a lifetime, we use a high-quality birch plywood that is very strong and stable but which may contain some natural discolorations and patches in the veneer.

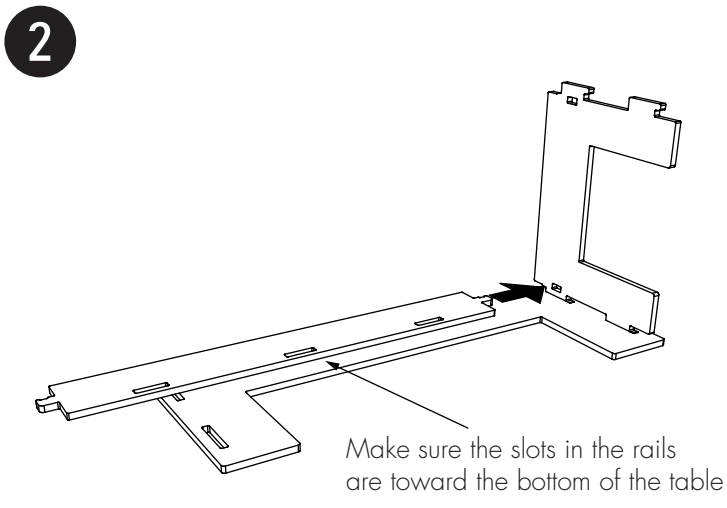
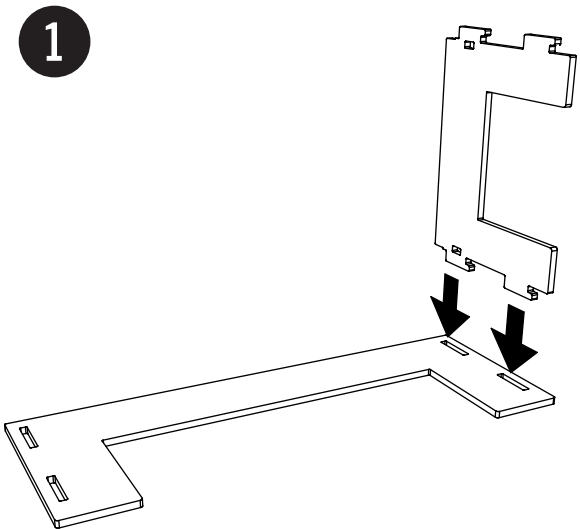
Natural discolorations typically come from environmental factors where the trees grow, and while they can produce some very beautiful patterns in the wood, they can cause mismatched panels in the assembled furniture product. Patches that may be present in the veneer are inserted into the veneer at the plywood factory to replace knots that occur naturally in the wood. These patches are purely cosmetic and while they are typically color matched to the surrounding veneer, the pattern of the wood grain and any natural discolorations in the wood may cause the patches to be more visible on some panels than on others.

For these reasons, we grade the plywood sheets and try to use the best sheets for the most visible panels, allowing any patches and discolorations to fall on inner panels that either cannot be seen or often will not be seen. This material selection is the compromise we make to produce an affordable product that is strong and durable and that can last a lifetime.

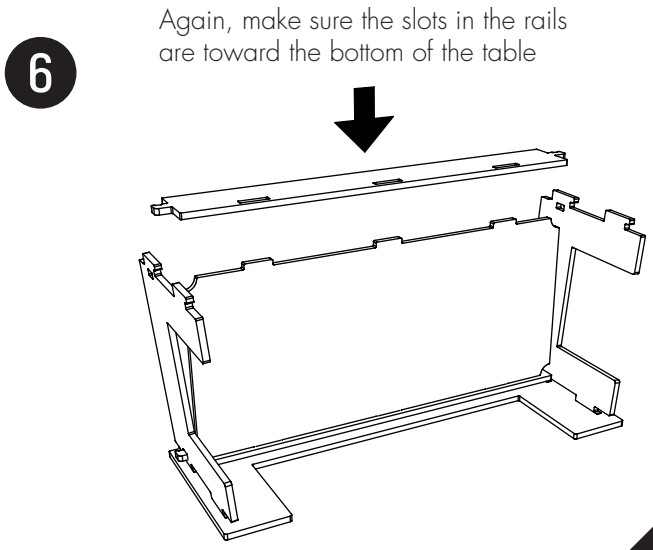
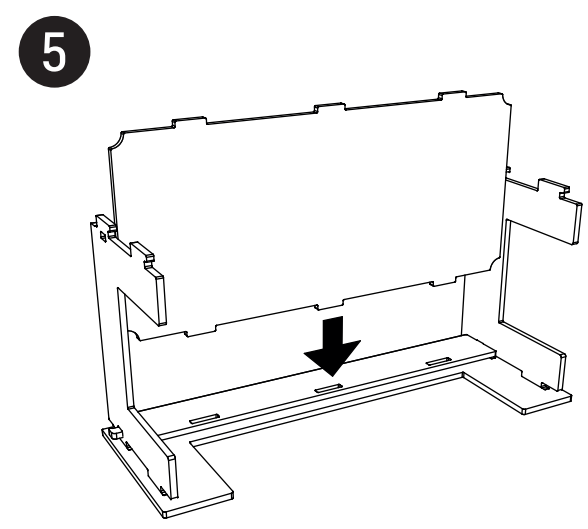
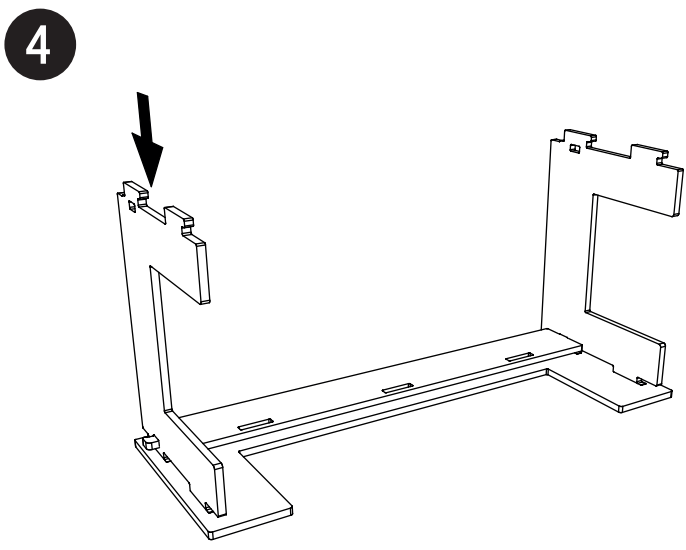
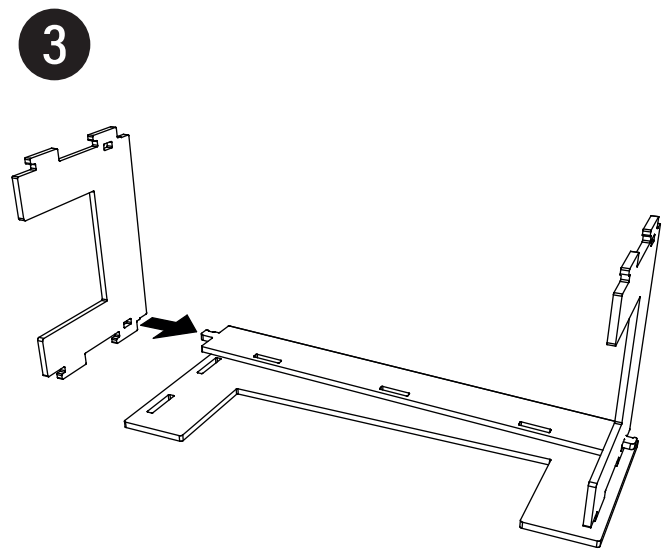
Before you assemble your new Klevr furniture, take a moment to examine the panel faces to find the prettiest side of each panel (the sides with the wood grain you'd like to see most often and that have the fewest, if any, cosmetic blemishes). When you assemble your item, you will want to orient these panels so that the prettiest sides face outwards.

The birch plywood that your item is produced from has a durable surface film that is applied at the factory under stringent manufacturing standards. This surface film can withstand regular daily use for many years and requires very little care. Usually a damp rag is all that's required to remove dirt and debris from the surface, but it's perfectly safe to use a soap and water solution or even rubbing alcohol to clean it. Please avoid using ammonia, solvents and other off-the-shelf general purpose cleansers because the variety of chemicals being used in today's cleansers makes it nearly impossible for us to predict what harmful effects they could have on the surface film.

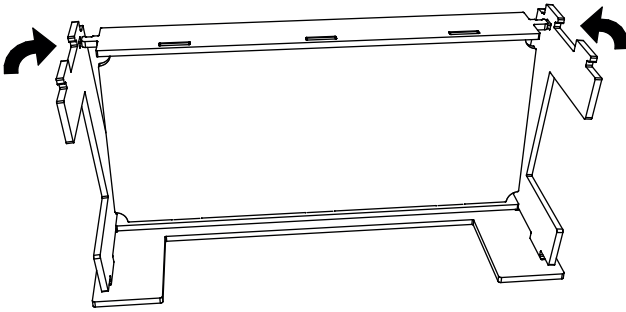




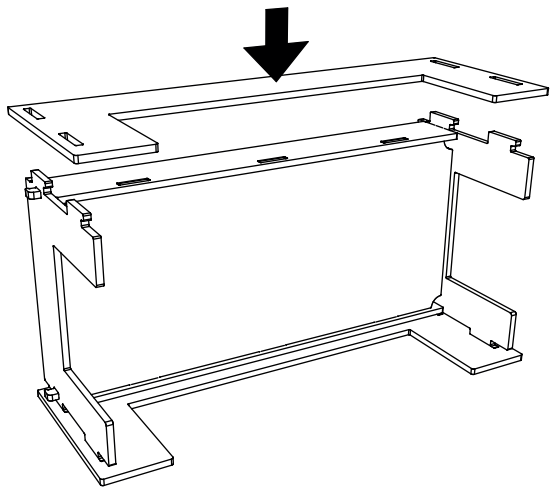
Make sure the slots in the rails are toward the bottom of the table



7

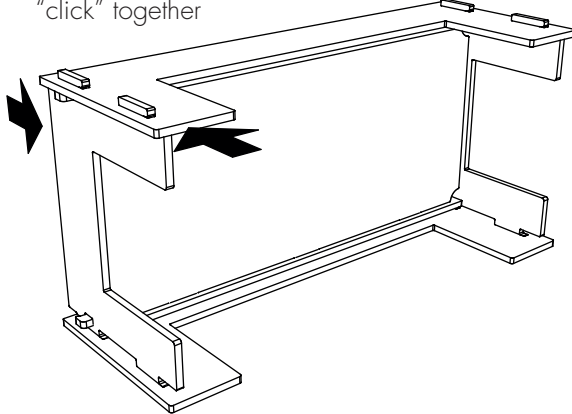


8



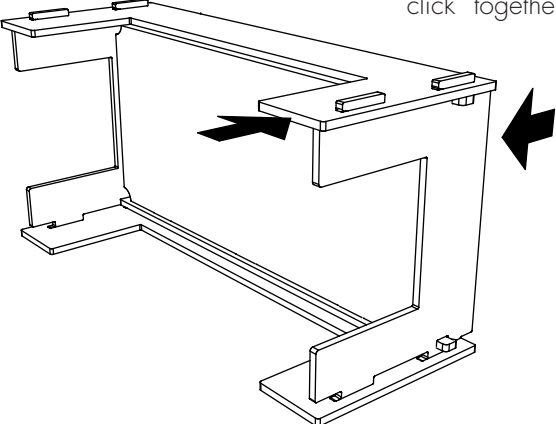
9

The panels should "click" together



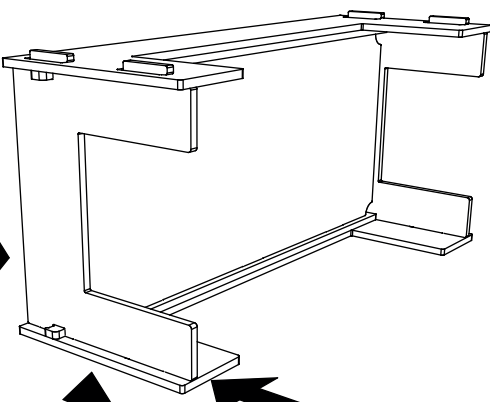
10

Again, the panels should "click" together



11

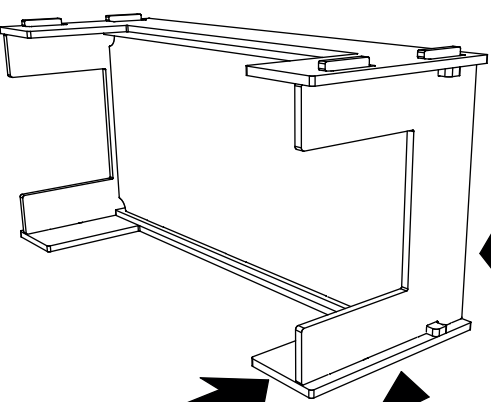
2



Lift up the lower panel, then "click" the lower and end panels together

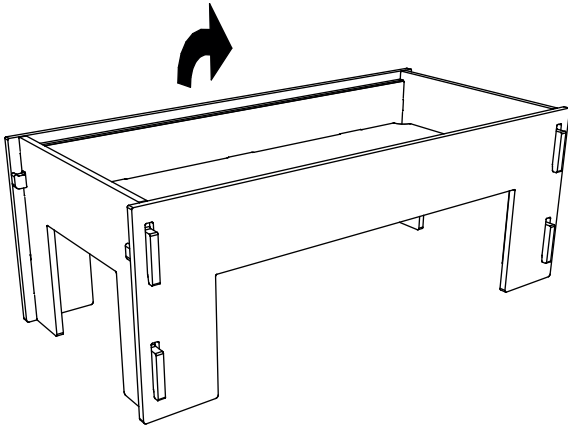
12

2



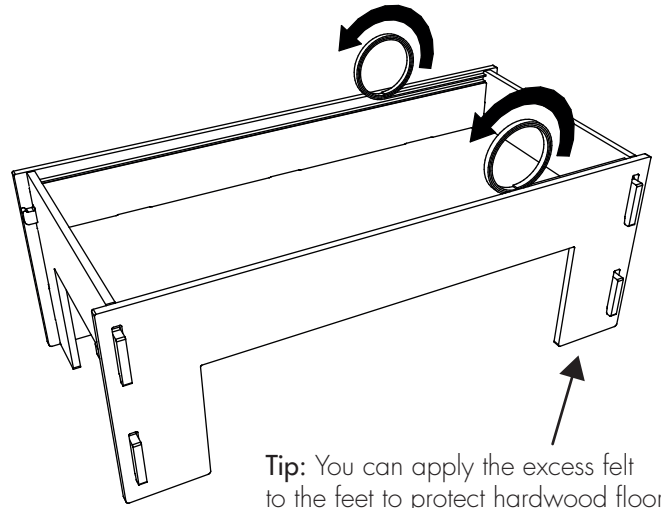
Again, lift up the lower panel, then "click" the panels together

13

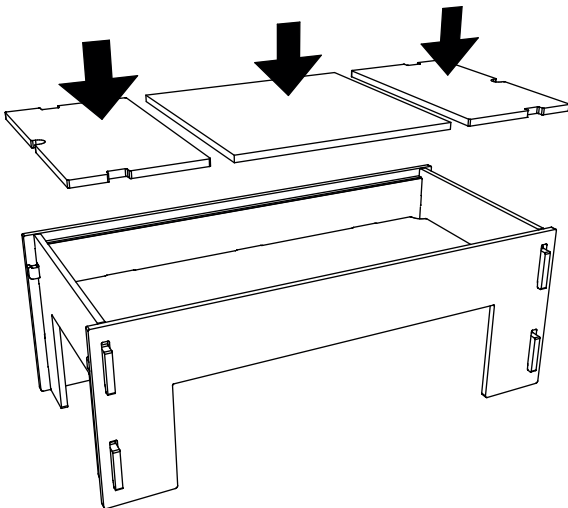


14

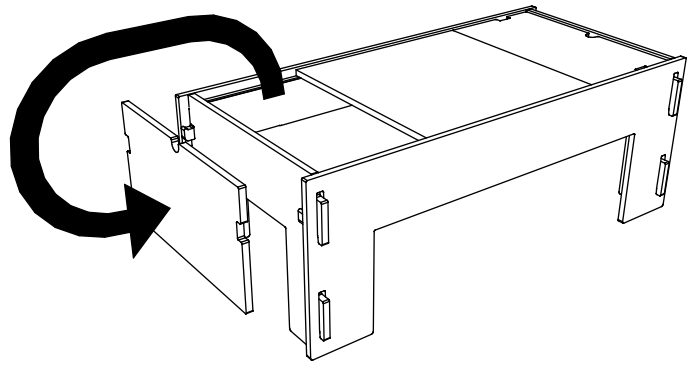
Peel back 2 inches of the paper backing from the end of a felt roll, stick the end of the felt to the top edge of a rail starting at one end, then unroll the felt while peeling off the backing and sticking the felt onto the rail. Cut off the excess felt with scissors. Repeat on the other rail.



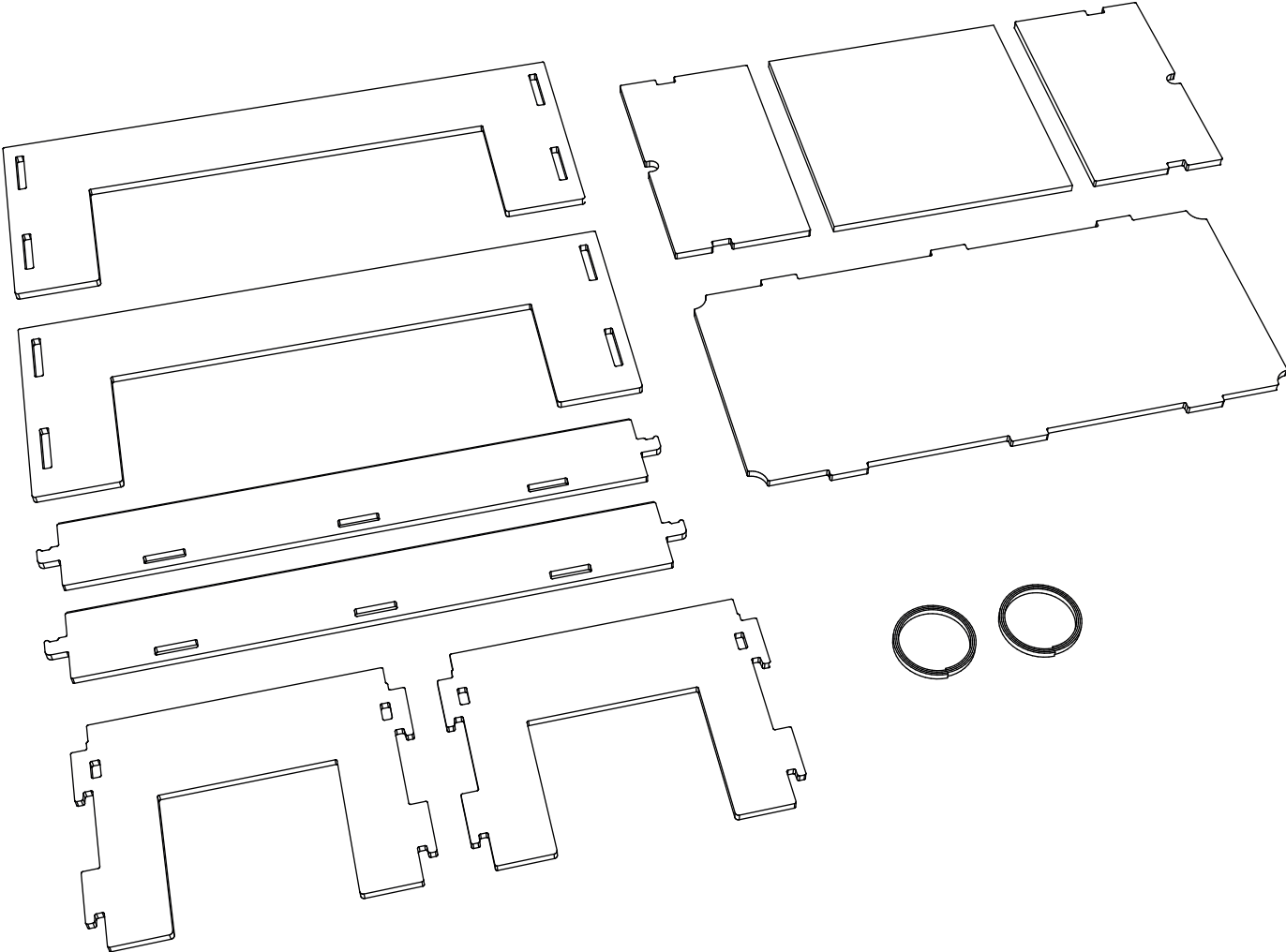
15



16



What's in the box



Covered under US patents. Other patents pending.

© 2013 bergdesign inc. All rights reserved. Product specifications subject to change without notice.

201301021

See repacking instructions
on reverse side

Repacking the panels

